

High Brightness 1.5-inch 7-Segment Numeric LED Displays

SND-1510 SND-1517

GENERAL DESCRIPTION

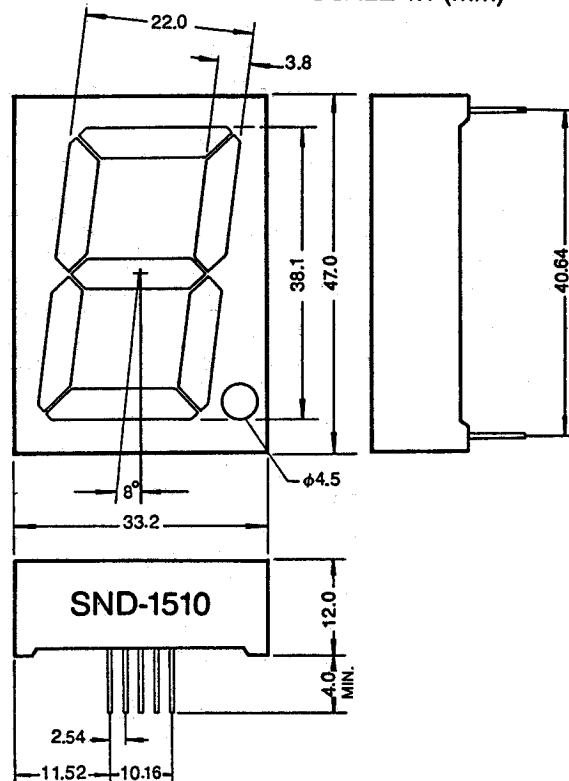
The SND-1510 and the SND-1517 series are 1.5 inch (38.1mm) character height epoxy resin molded 7 segment LED displays and available in red, orange and yellow-green emitting colors.
The standard unit is constructed with black face and milky white segment color.

FEATURES

1. High brightness with high contrast
2. Uniform brightness and wide angle viewing
3. Low power consumption
4. Solid state stability and long operation life
5. Cathode common (SND-1510) and anode common (SND-1517) types available

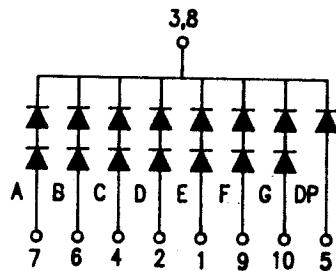
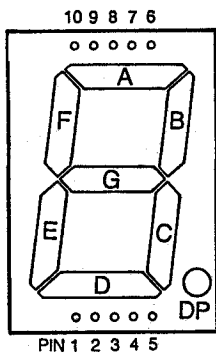
PACKAGE DIMENSIONS

SCALE 1:1 (mm)

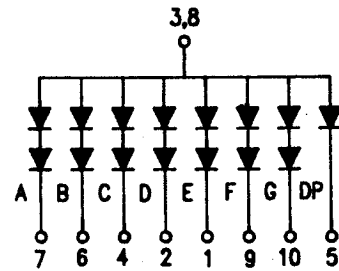


PIN ARRANGEMENTS

(Top View)



SND-1510 (Cathode Common)



SND-1517 (Anode Common)

三光半導体株式会社
SAM KWANG SEMICONDUCTOR CO., LTD.

803 Silla Techno Vil., 39-3 Dang-dong Kunpo-City Kyungki-do, Korea,
TEL:031-456-1444/1484, FAX:031-456-4224

Red SND 1510/1517UR (GaAlAs)

Absolute Maximum Ratings (T_a = 25°C)

Power dissipation/Total	600	mW
Power dissipation/Seg	80	mW
Forward current	20	mA
Peak forward current	60*	mA
Reverse voltage	10	V
Operating temperature	-25 ~ +85	°C
Storage temperature	-55 ~ +100	°C

Electrical/Optical Characteristics (T_a = 25°C)

Parameter	Symbol	Conditions	Min	Typ	Max.	Unit
Forward voltage/Seg	V _F	I _F = 15mA	—	3.8	4.0	V
Reverse current/Seg	I _R	V _R = 10V	—	—	10	μA
Luminous intensity/digit	I _v	I _F = 15mA	450	1500	—	μcd
Peak wavelength	λ _P	I _F = 15mA	—	660	—	nm
Spectral line halfwidth	Δλ	I _F = 15mA	—	20	—	nm

Orange SND 1510/1517SR (GaAsP/GaP)

Absolute Maximum Ratings (T_a = 25°C)

Power dissipation/Total	600	mW
Power dissipation/Seg	80	mW
Forward current	20	mA
Peak forward current	60*	mA
Reverse voltage	10	V
Operating temperature	-25 ~ +85	°C
Storage temperature	-55 ~ +100	°C

Electrical/Optical Characteristics (T_a = 25°C)

Parameter	Symbol	Conditions	Min	Typ	Max.	Unit
Forward voltage/Seg	V _F	I _F = 15mA	—	4.2	4.4	V
Reverse current/Seg	I _R	V _R = 10V	—	—	10	μA
Luminous intensity/digit	I _v	I _F = 15mA	300	800	—	μcd
Peak wavelength	λ _P	I _F = 15mA	—	635	—	nm
Spectral line halfwidth	Δλ	I _F = 15mA	—	35	—	nm

Yellow-green SND 1510/1517UG (GaP)

Absolute Maximum Ratings (T_a = 25°C)

Power dissipation/Total	600	mW
Power dissipation/Seg	80	mW
Forward current	20	mA
Peak forward current	60*	mA
Reverse voltage	10	V
Operating temperature	-25 ~ +85	°C
Storage temperature	-55 ~ +100	°C

Electrical/Optical Characteristics (T_a = 25°C)

Parameter	Symbol	Conditions	Min	Typ	Max.	Unit
Forward voltage/Seg	V _F	I _F = 15mA	—	4.3	4.6	V
Reverse current/Seg	I _R	V _R = 10V	—	—	10	μA
Luminous intensity/digit	I _v	I _F = 15mA	350	1000	—	μcd
Peak wavelength	λ _P	I _F = 15mA	—	565	—	nm
Spectral line halfwidth	Δλ	I _F = 15mA	—	30	—	nm

* Pulse Width 1 ms
Duty Cycle 1/5