

# High Reliability 0.56-inch 7-Segment Numeric LED Displays

# SND-610 SND-617

## GENERAL DESCRIPTION

The SND-610 and the SND-617 series are high performance epoxy resin molded 7 segment numeric LED displays of which character height is 0.56-inch (14.1mm). These series provide excellent readability in bright ambients and available in red, orange and yellow-green emitting colors.

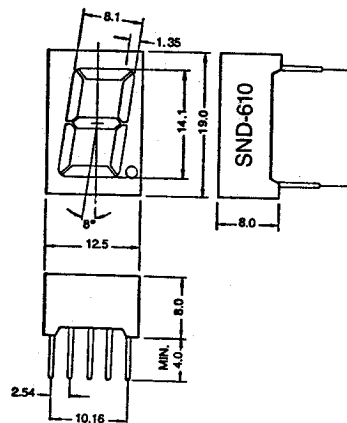
The standard unit is constructed with black face and milky white segment color.

Actual size

## PACKAGE DIMENSIONS



SCALE 1:1 (mm)

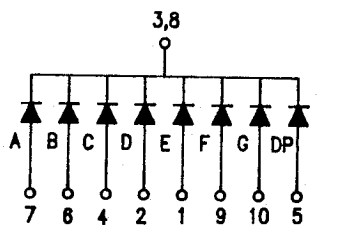
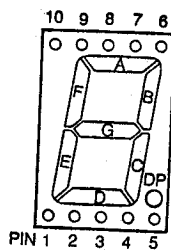


## FEATURES

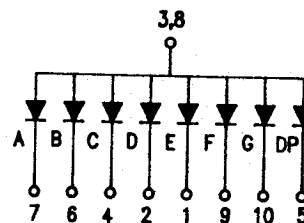
1. High brightness and with contrast
2. Uniform brightness and wide angle viewing
3. Low power consumption; Directly drive with I.C
4. Solid state reliability and long operation life
5. Cathode-common (SND610) and anode-common (SND617) types available

## PIN ARRANGEMENT

(Top View)



SND-610 (Cathode Common)



SND-617 (Anode Common)



**三光半導体株式会社**  
**SAM KWANG SEMICONDUCTOR CO., LTD.**  
 803 Silla Techno Vil., 39-3 Dang-dong Kunpo-City Kyungki-do, Korea,  
 TEL:031-456-1444/1484, FAX:031-456-4224

# High Reliability 0.56-inch Dual-Digit 7-Segment Numeric LED Displays

# SND-620 SND-627

## GENERAL DESCRIPTION

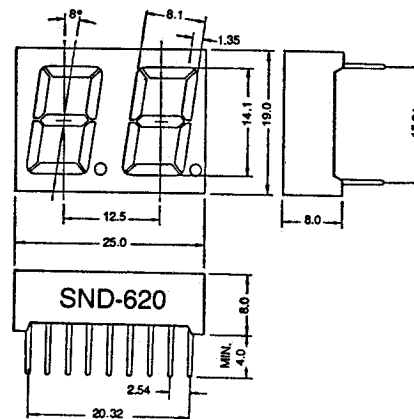
The SND-620 and the SND-627 series are high performance epoxy resin molded dual-digit 7-segment LED displays of which character height is 0.56-inch (14.1mm). These series provide excellent readability in bright ambients and available in red, orange and yellow-green emitting colors.

The standard unit is constructed with black face and milky white segment color.

## PACKAGE DIMENSIONS



SCALE 1:1 (mm)

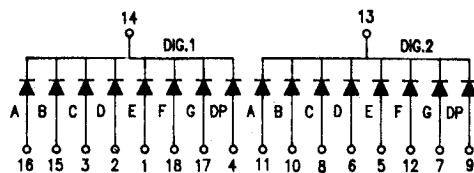
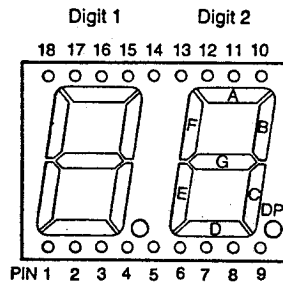


## FEATURES

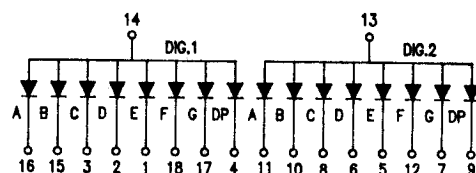
1. High brightness with high contrast
2. Uniform brightness and wide angle viewing
3. Low power consumption; Directly drive with I.C
4. Solid state reliability and long operation life
5. Cathode-common (SND620) and anode-common (SND627) types available

## PIN ARRANGEMENT

(Top View)



SND-620 (Cathode Common)



SND-627 (Anode Common)

**三光半導体株式会社**  
**SAM KWANG SEMICONDUCTOR CO., LTD.**

803 Silla Techno Vil., 39-3 Dang-dong Kunpo-City Kyungki-do, Korea,  
TEL:031-456-1444/1484, FAX:031-456-4224

# High Reliability 0.56-inch Triple-Digits 7-Segment Numeric Displays

# SND-630(A) SND-637(A)

## GENERAL DESCRIPTION

The SND-630 and SND-637 series are high degree of reliability epoxy resin molded three-digit 7-segment LED displays of which character height is 0.56-inch (14.1mm) and available in red, orange and yellow-green emitting colors. The standard units are constructed with black face and milky white segment color.

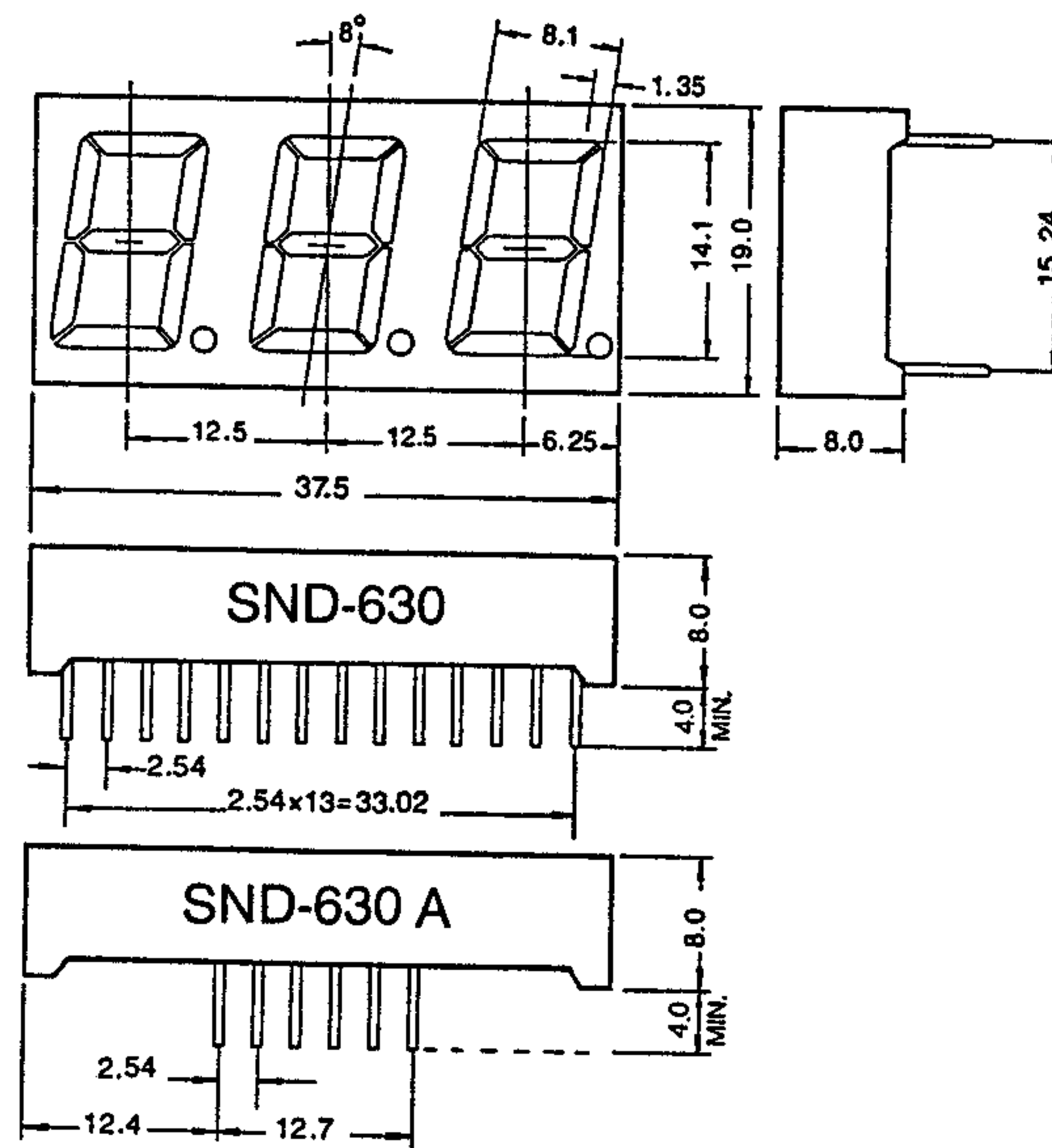
## FEATURES

1. High brightness and high contrast
2. Low power consumption; Directly drive with I.C
3. Wide angle viewing
4. Solid state reliability; Long operation life
5. Match to SND640/647 series for 7 digits of applications
6. Cathode-common (SND630) and anode-common (SND637) types available

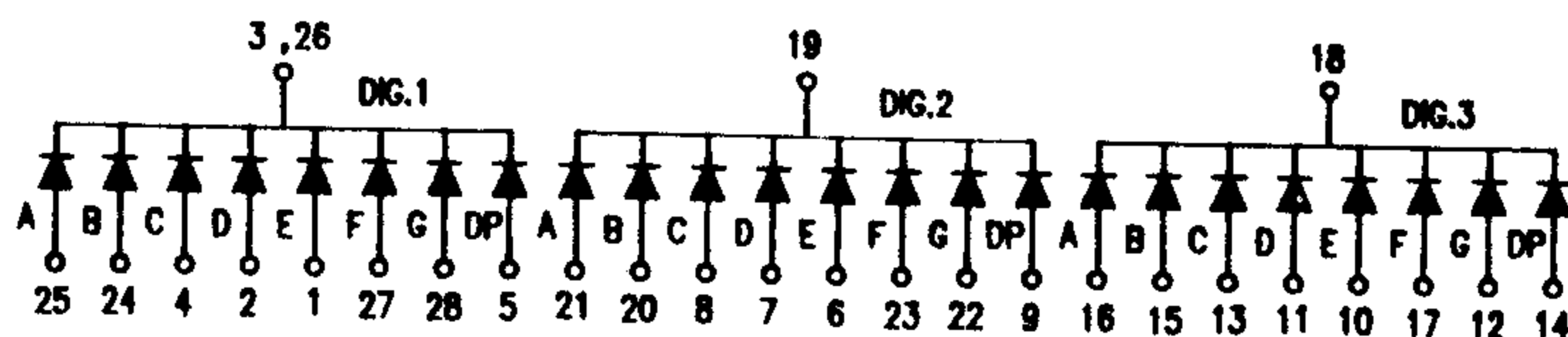
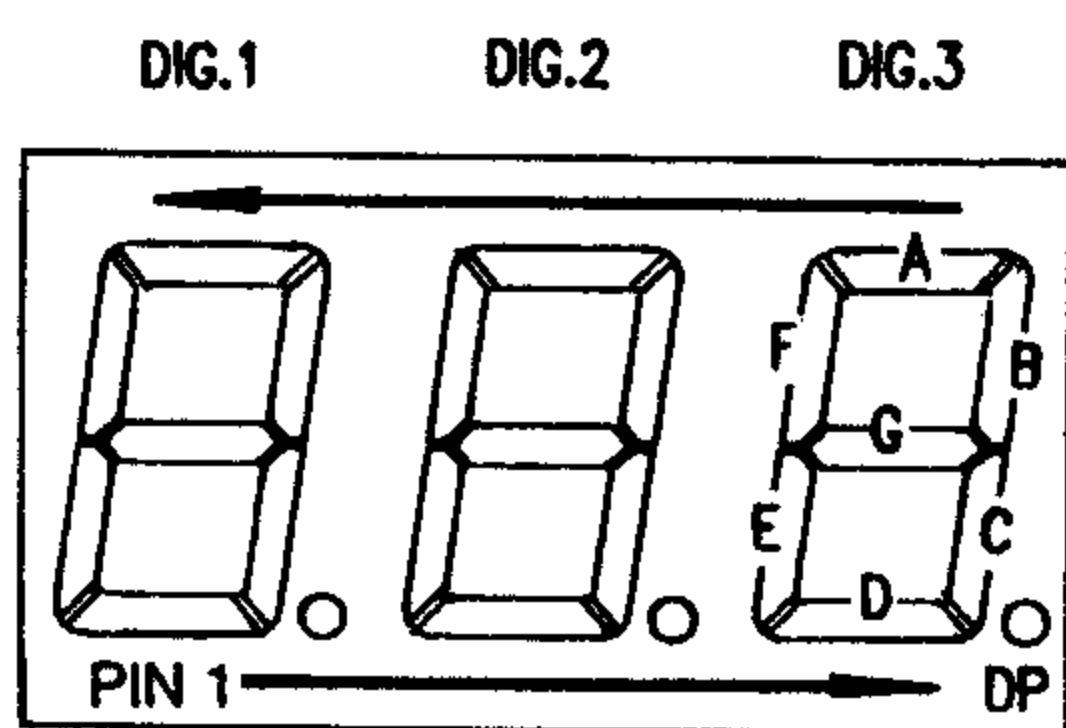
Actual size



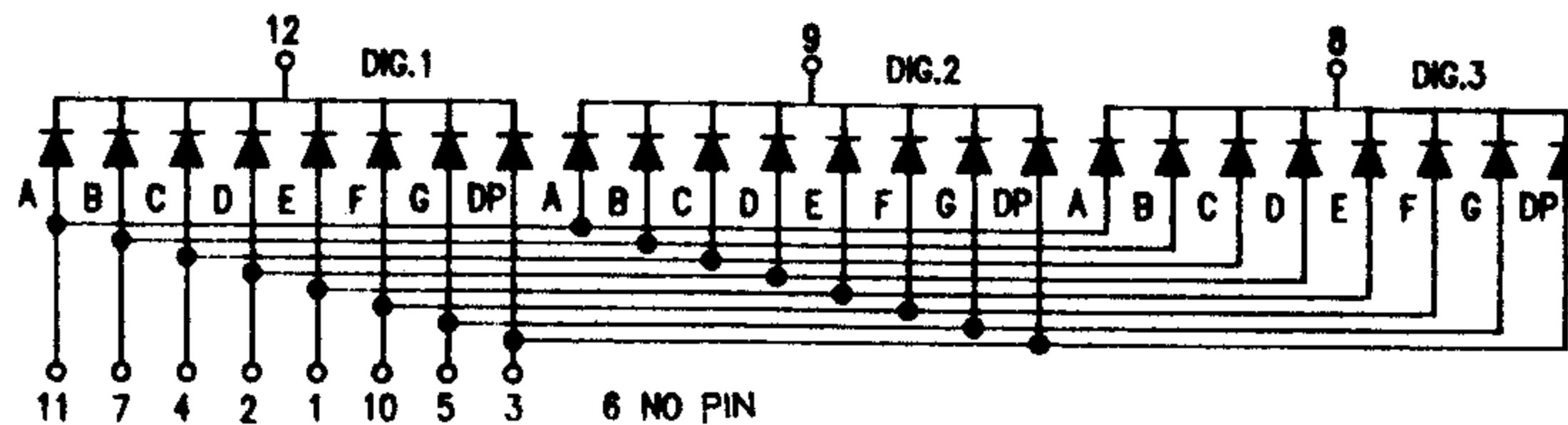
## PACKAGE DIMENSIONS SCALE 1:1 (mm)



## PIN ARRANGEMENT (Top View)



SND630 Cathode-common



SND630 A Cathode-common

SND637/SND-637 A Anode-common

All diodes are reversed polarity

**SAM KWANG SEMICONDUCTOR CO., LTD.**

803 Silla Techno Vil., 39-3 Dang-dong Kunpo-City Kyungki-do, Korea, TEL:031-456-1444/1484, FAX:031-456-4224 <http://www.samkwangled.com>

# High Reliability 0.56-inch 4-Digits 7-Segment Numeric Displays

# SND-640 SND-647

## GENERAL DESCRIPTION

The SND-640 and SND-647 series are high degree of reliability epoxy resin molded four-digit 7-segment LED displays of which character height is 0.56-inch (14.1mm) and available in red, orange and yellow-green emitting colors. The standard units are constructed with black face and milky white segment color.

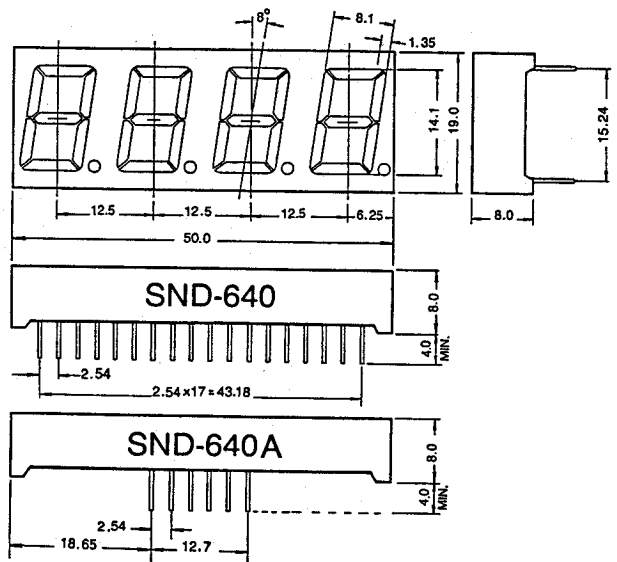
## FEATURES

1. High brightness and high contrast
2. Low power consumption; Directly drive with I.C
3. Wide angle viewing
4. Solid state reliability; Long operation life
5. Match to SND630/637 series for 7 digits of applications
6. Cathode-common (SND640) and anode-common (SND647) types available

## PACKAGE DIMENSIONS

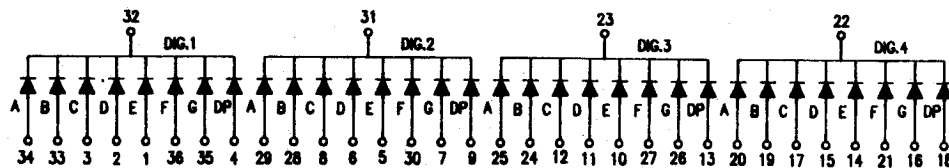
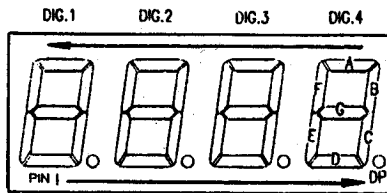


SCALE 1:1 (mm)

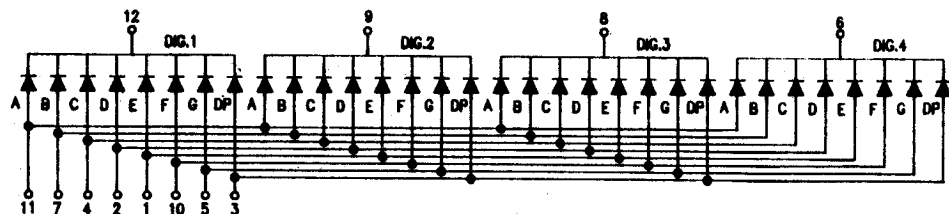


## PIN CONNECTIONS

(Top View)



SND-640 Common Cathode



SND-640 A Common Cathode

SND-647 /647 A (Anode Common) All diodes are reversed polarity



803 Silla Techno Vil., 39-3 Dang-dong Kunpo-City Kyungki-do, Korea,  
TEL:031-456-1444/1484, FAX:031-456-4224

# High Reliability 0.56-inch 5-Digits 7-Segment Numeric LED Displays

# SND-650 SND-657

## GENERAL DESCRIPTION

The SND-650 and the SND-657 series are high performance epoxy resin molded 5-digit 7-segment LED displays of which character height is 0.56-inch(14.1mm). These series provide excellent readability in bright ambients and available in red, orange and yellow-green emitting colors.

The standard unit is constructed with black face and milky white segment color.

## PACKAGE DIMENSIONS



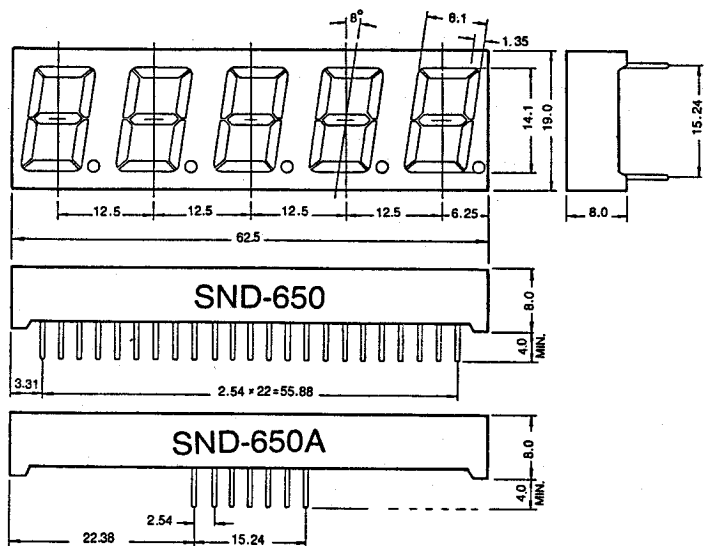
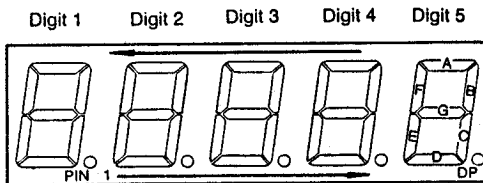
SCALE 1:1 (mm)

## FEATURES

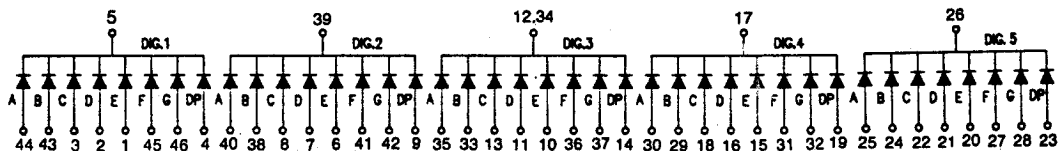
1. High brightness with high contrast
2. Uniform brightness and wide angle viewing
3. Low power consumption; Directly drive with I.C
4. Solid state reliability and long operation life
5. Cathode-common (SND-650) and anode-common (SND-657) types available

## PIN ARRANGEMENT

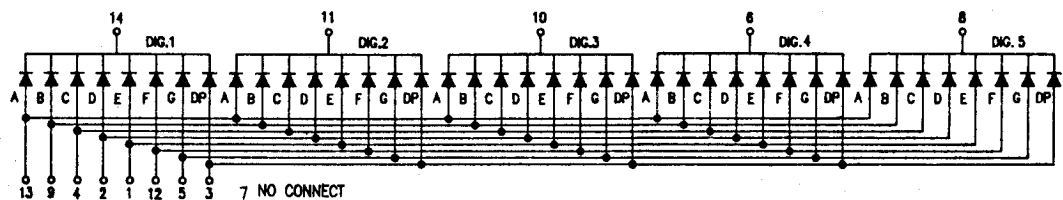
(Top View)



SND-650  
(Cathode Common)



SND-650A  
(Cathode Common)



SND-657 (Anode Common)  
SND-657A (Anode Common) } All diodes are reversed polarity

 三光半導体株式会社  
SAM KWANG SEMICONDUCTOR CO., LTD.

803 Silla Techno Vil., 39-3 Dang-dong Kunpo-City Kyungki-do, Korea,  
TEL:031-456-1444/1484, FAX:031-456-4224