

High Reliability 0.54 inch Alpha-Numeric LED Displays

SNA 5200 SNA 5207

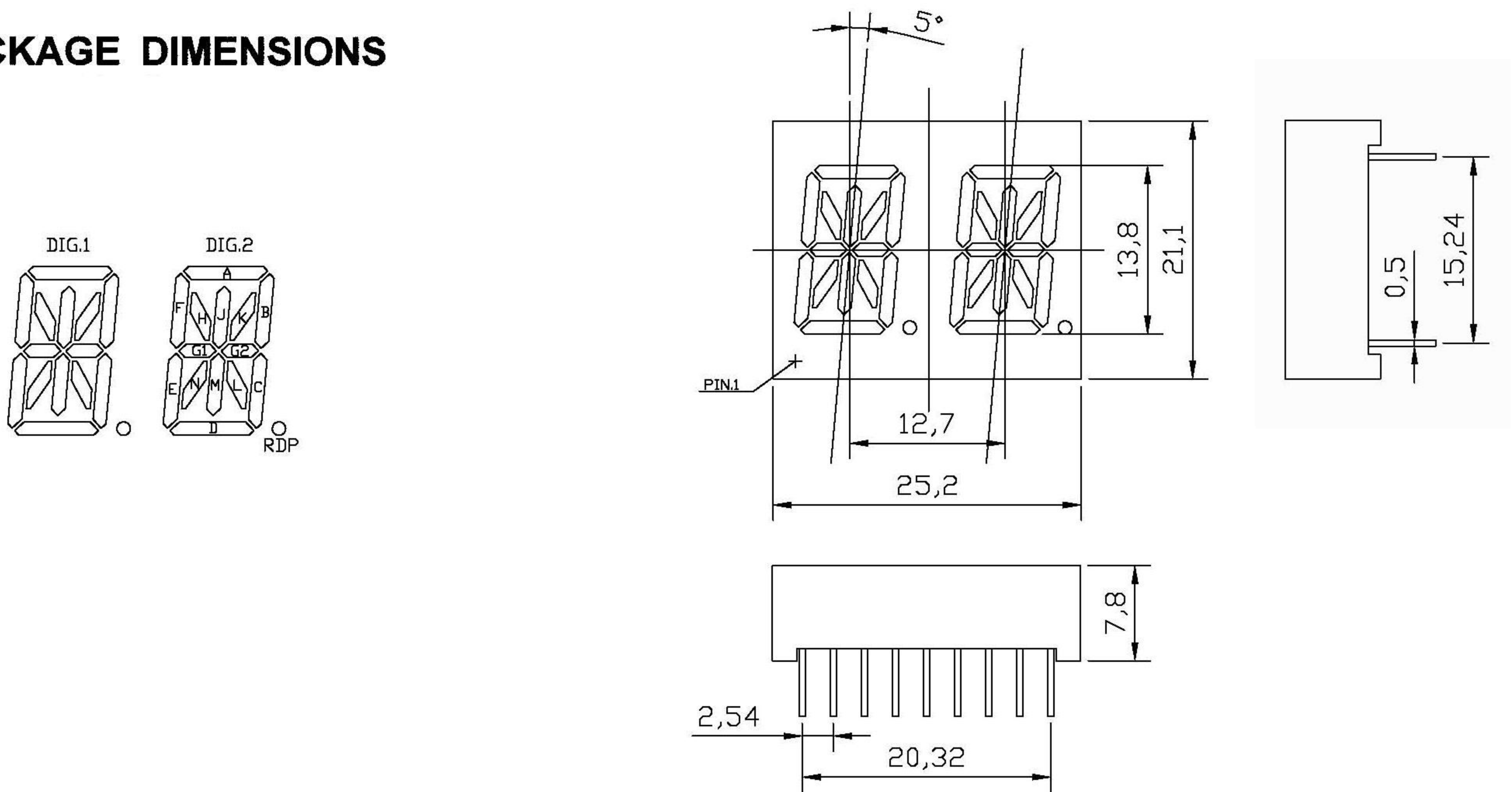
GENERAL DESCRIPTION

The SNA 5200 and SNA 5207 are a high reliability epoxy resin molded alpha-numeric LED displays of which character height is 0.54 inch (13.67mm) and available in red, green, orange and yellow-green emitting colors. The standard units are constructed with black face and milky white segment color.

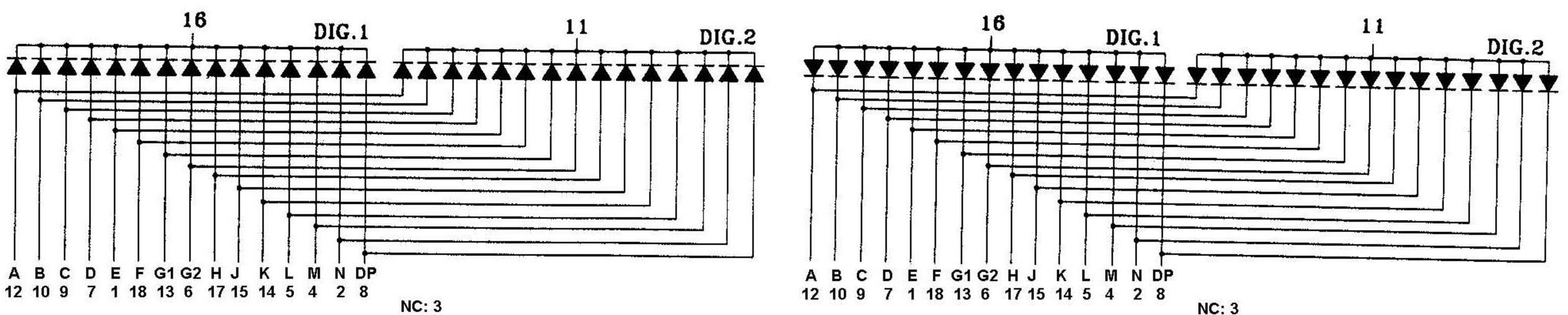
FEATURES

1. High brightness and high contrast
2. Excellent visibility : uniform brightness, wide angle viewing
3. Low power consumption
4. Solid state reliability and long operation life
5. Cathode common (SNA 5200) and anode common (SNA 5207) types available

PACKAGE DIMENSIONS



PIN ARRANGEMENT



SNA 5200 (Cathode Common)

SNA 5207 (Anode Common)

三光半導体株式会社
SAM KWANG SEMICONDUCTOR CO., LTD.

803 Silla Techno Vil., 39-3 Dang-dong Kunpo-City Kyungki-do, Korea,
TEL:031-456-1444/1484, FAX:031-456-4224