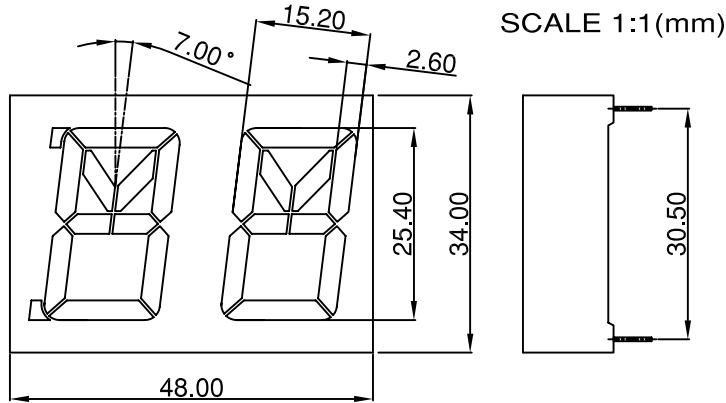


High Brightness 1.0-Inch Dual-Digit LED Displays for Elevator

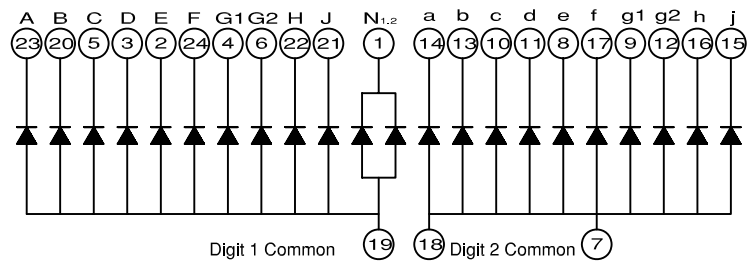
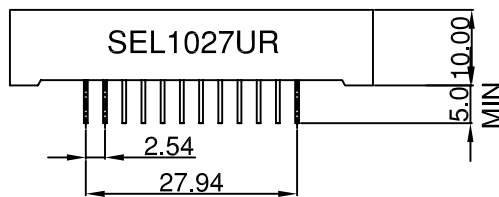
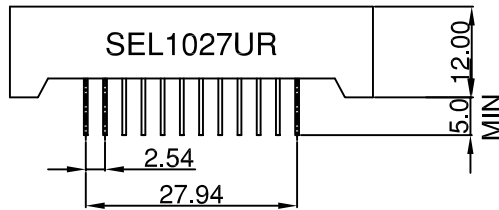
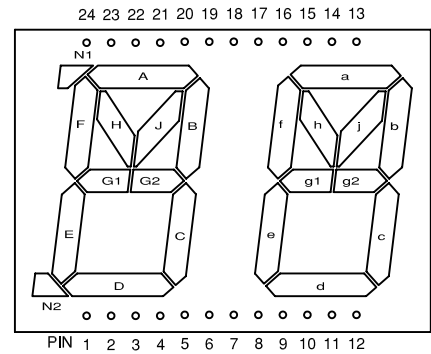
SEL1027UR

Outline Dimensions



PIN ARRANGEMENT

(Top View)



UR

Absolute Maximum Ratings(Ta=25°C)

Power dissipation/Total	880 mW
Forward current/Chip	40 mA
Forward current	20 mA
Peak forward current	50 mA
Reverse voltage/Chip	5 V
Operating temperature	-25~+80 °C
Storage temperature	-25~+85 °C

Soldering temperature 260°C (within 5 sec)

* Pulse Width.....0.1 ms
Duty Cycle1/10

Electrical/Optical Characteristics (Ta = 25°C)

Parameter	Symbol	Conditions	Min	Typ	Max.	Unit
Forward voltage/Chip	V _F	I _F = 10mA	-	1.8	2.0	V
Reverse current/Chip	I _R	V _R = 5V	-	-	10	μA
Luminous intensity/Chip	I _V	I _F = 20mA	4800	-	5050	μcd
Dominant wavelength	λ _D	I _F = 20mA	-	656	-	nm
Half Bandwidth	Δλ	I _F = 20mA	-	20	-	nm



SAM KWANG SEMICONDUCTOR CO., LTD.

#803 Silla Techno Vil., 39-3 Dang-dong Kupo-city Kyungki-do, Korea, TEL:031-456-1444, FAX:031-456-4224 <http://www.samkwangled.com>