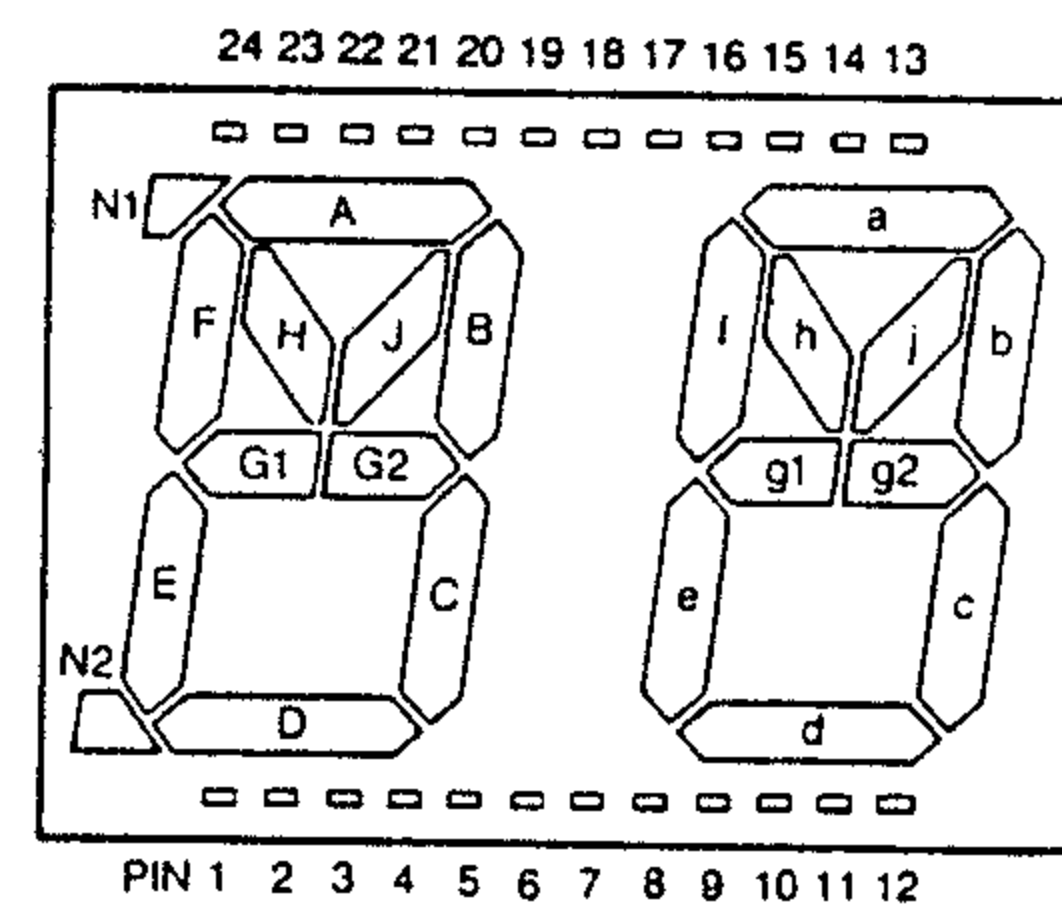
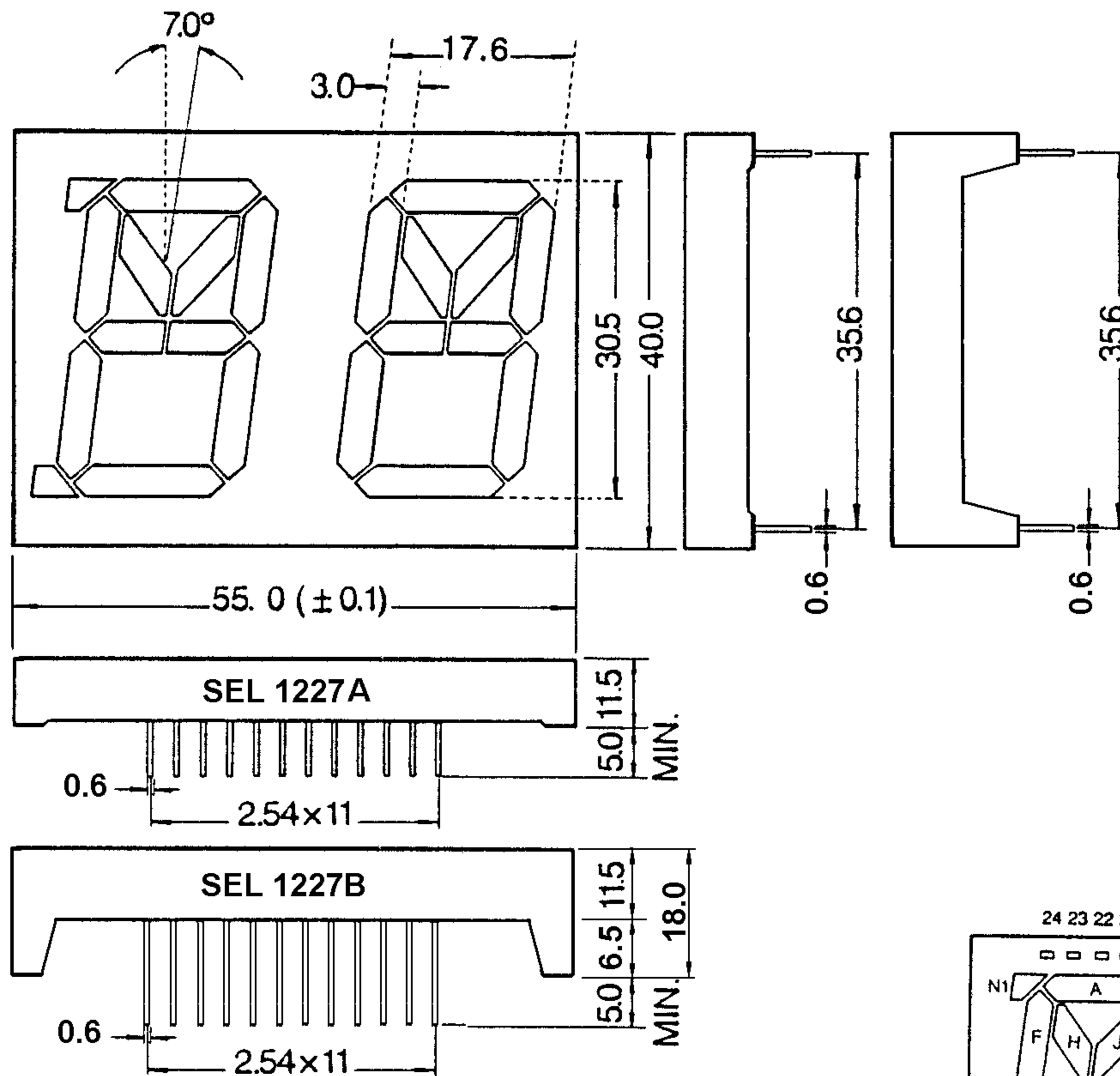


High Reliability 1.2-inch Dual-digit LED Displays for Elevator

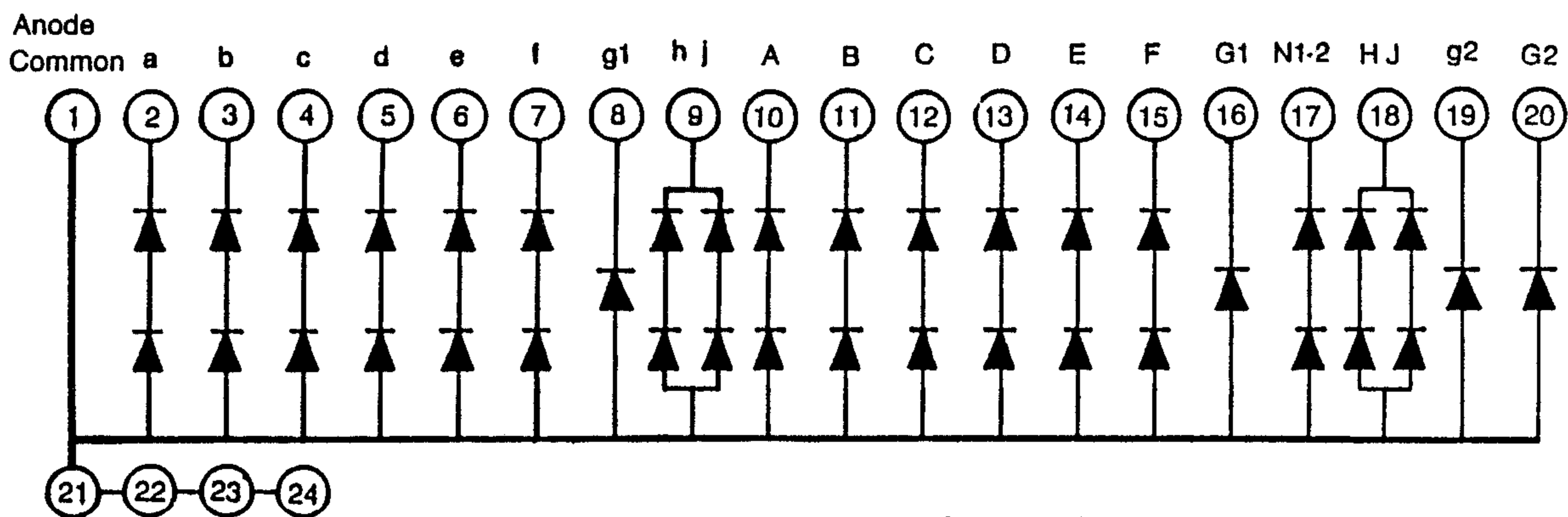
SEL 1220A(B) SEL 1227A(B)

PACKAGE DIMENSIONS

SCALE 1:1 (mm)



CONNECTIONS GUIDE (Top View)



SEL-1227 (Anode Common)

三光半導体株式会社
SAM KWANG SEMICONDUCTOR CO., LTD.

803 Silla Techno Vil., 39-3 Dang-dong Kunpo-City Kyungki-do, Korea,
TEL:031-456-1444/1484, FAX:031-456-4224