

High Brightness 24.0×20.0mm Flat LED Displays

SBD 2420B SBD 2420S

GENERAL DESCRIPTION

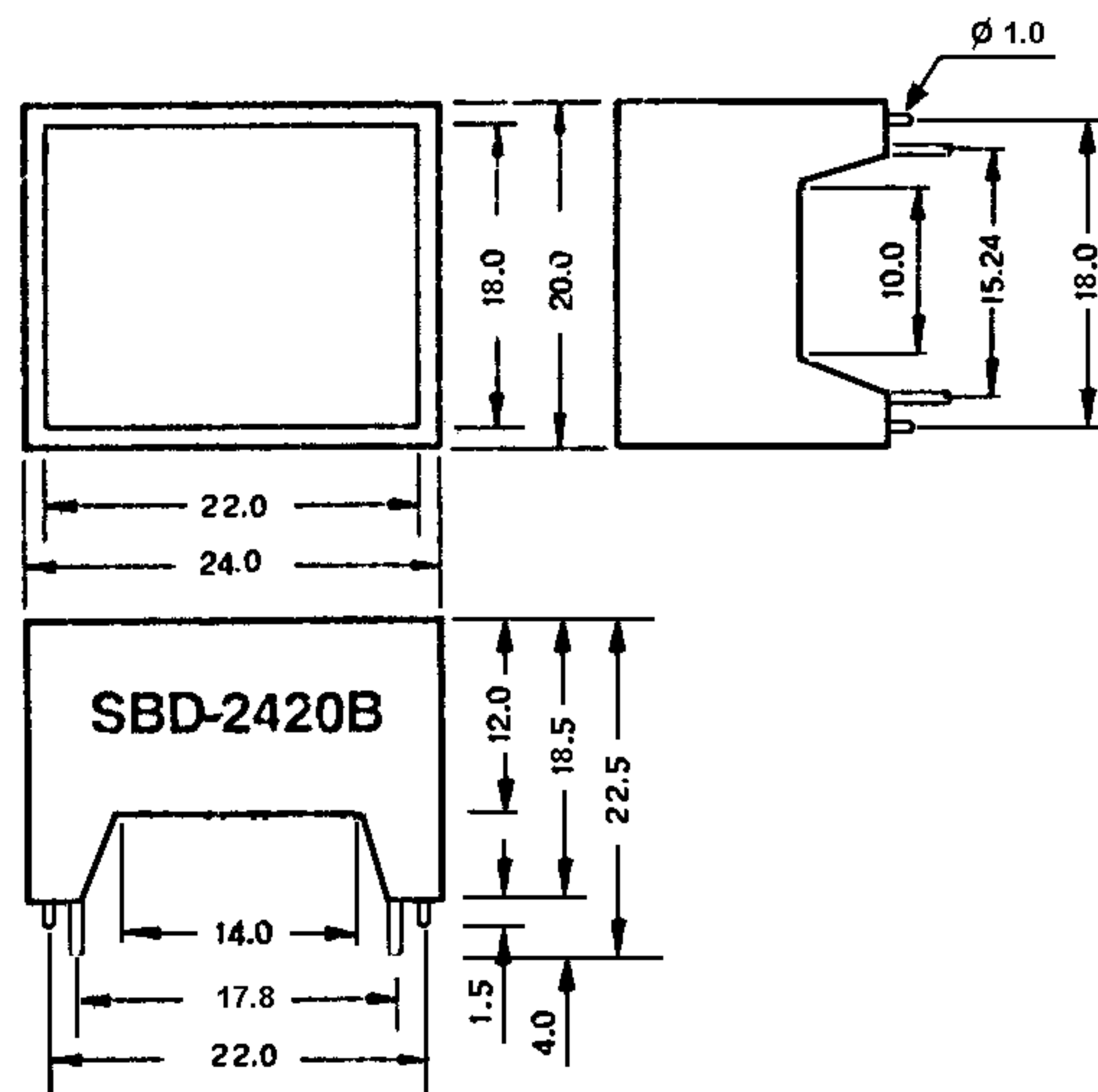
The SBD-2420 series are a reflecting high brightness flat LED displays. The active face size is 22.0 × 18.0 mm and available in red, orange and yellow-green emitting colors.

FEATURES

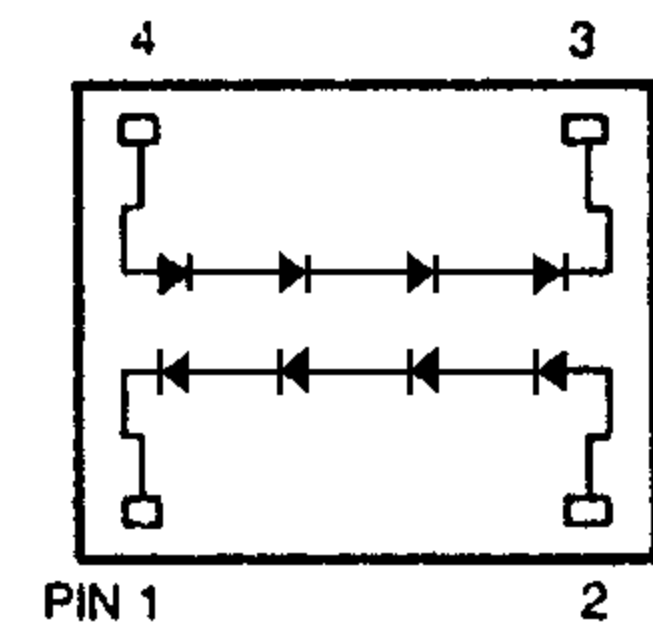
1. High brightness and high contrast
2. Low power consumption
3. Solid state stability; Long operation life
4. Wide angle viewing

PACKAGE DIMENSIONS AND CONNECTIONS GUIDE

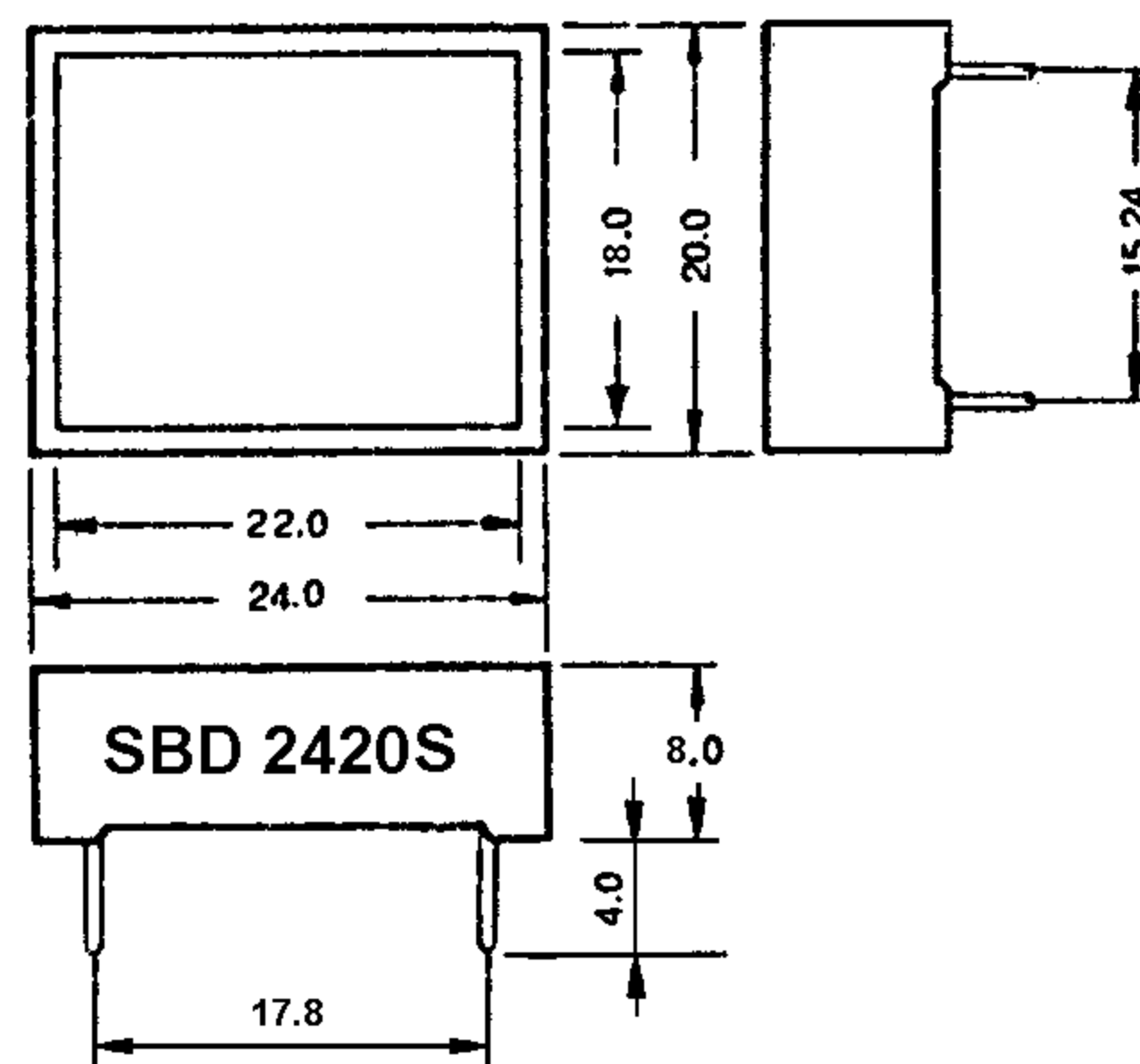
SBD 2420B



Top View



SBD 2420S



Top View

